

- 
- 
- (√) Preliminary Specification  
( ) Final Specification

## **BACKLIGHT SPECIFICATION**

Product's Name: DLED65Q  
Customer's Model NO:  
CEJZ's Model NO: 650L01Q1

For Customer's Acceptance Customer's Name:	
Approved by	Comment

Approved by	Checked by	Designed by

---

---

## CONTENTS

RECORD HISTORY	-----	3
1. General Description	-----	4
1.1 Overview		
1.2 Available OpenCell Ass'y		
2. BACKLIGHT Configuration	-----	6
2.1 Factory Standard Configuration		
2.2 Other available configurations		
3. Reliability Test	-----	6
4. Package Specification	-----	7
5. Mechanical Drawing	-----	8
6. Impression Drawing	-----	9

---

---

### Record of Revision

Version NO.	Revise Date	Page	Description
0.0	2017/ 02/18	-	Preliminary Specification(First Draft)



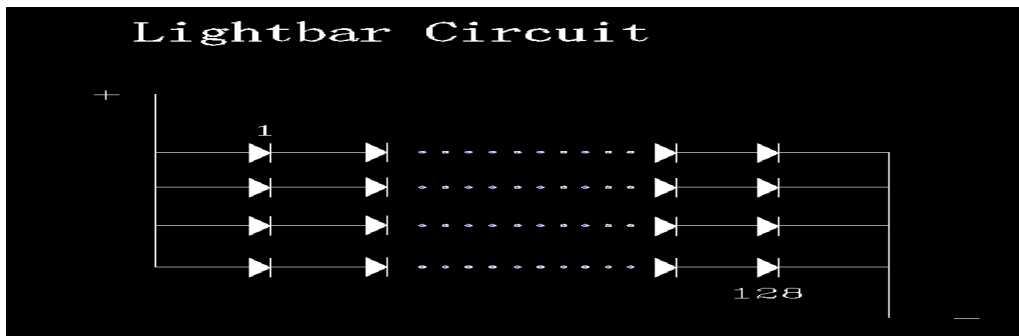
标准配置方案: 8\*16 (3030) + 两扩一增

### 2.1.1 BACKLIGHT Electric Parameter(背光电气参数)

Parameter	Symbol	Value			Unit	Note
		Min.	Typ.	Max.		
BLU Voltage	U	--	100.8	--	V	IL =1400mA
BLU Power	P	--	141	--	W	IL =1400mA
BLU Current	I	--	1400	--	mA	
BLU lifetime	T	30000	--	--	h	(1)

Note (1) The lifetime is defined as the time which luminance of the LED decays to 50% compared to the initial value, Operating condition: Continuous operating at  $T_a = 25 \pm 2^\circ\text{C}$ ,  $I_L = 330\text{mA}$

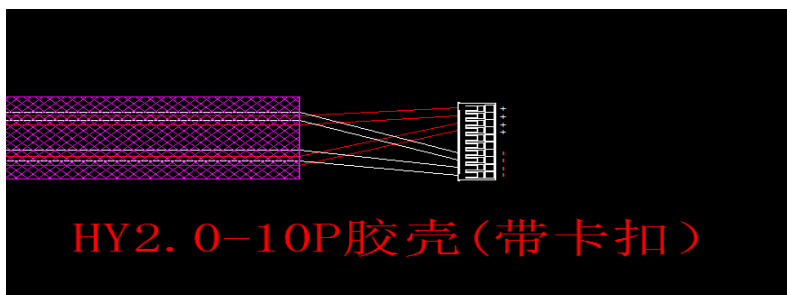
### 2.1.2 BACK LIGHT Electrical Circuit (背光电路)



PER LED light bar circuit is(1)Parallel (8)Series, Backlight circuit is(4)Parallel (32)Series

### 2.1.3 Backlight UNIT Connector Definition (背光接口)

Backlight Input connector model: **HY2.0-10PIN**(带卡扣)

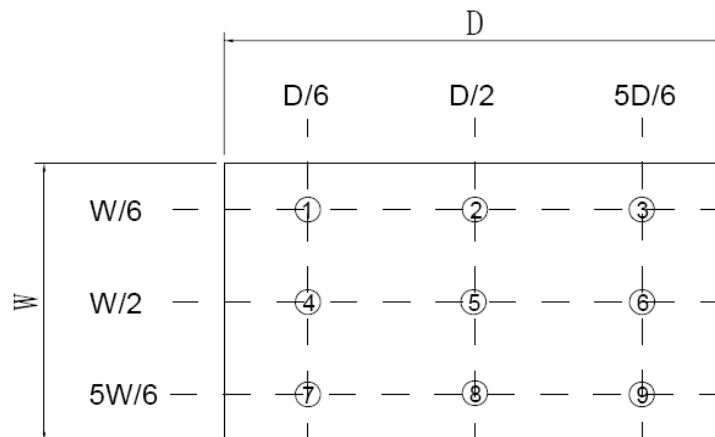


### 2.1.4 BACKLIGHT Optical Characteristics (背光光学参数)

项目	符号	最小值	典型值	最大值	单位	测试条件
电压	Vf	--	100.8	--	V	If= 1400mA
电流	Ir	--	1400	--	mA	If= 1400mA
中心点亮度	Lv	--	8000	--	cd/m <sup>2</sup>	If= 1400mA
均匀性	U	--	75	--	%	
色座标	X	0.225	0.255	0.385		IF=330mA Ta=25°C Each chip
	Y	0.200	0.220	0.250		

- 注 1: 测试条件: 1) 时间: 点亮 5 分钟后;  
 2) 测试环境: 暗室 (10Lux 以下)  
 3) 辉度、色坐标测试点: 见下图  
 4) 光学特性测试点图

注 2: 均匀性  $\Delta I = (I_{MIN} \div I_{MAX}) \times 100\%$



### 3. Reliability Test

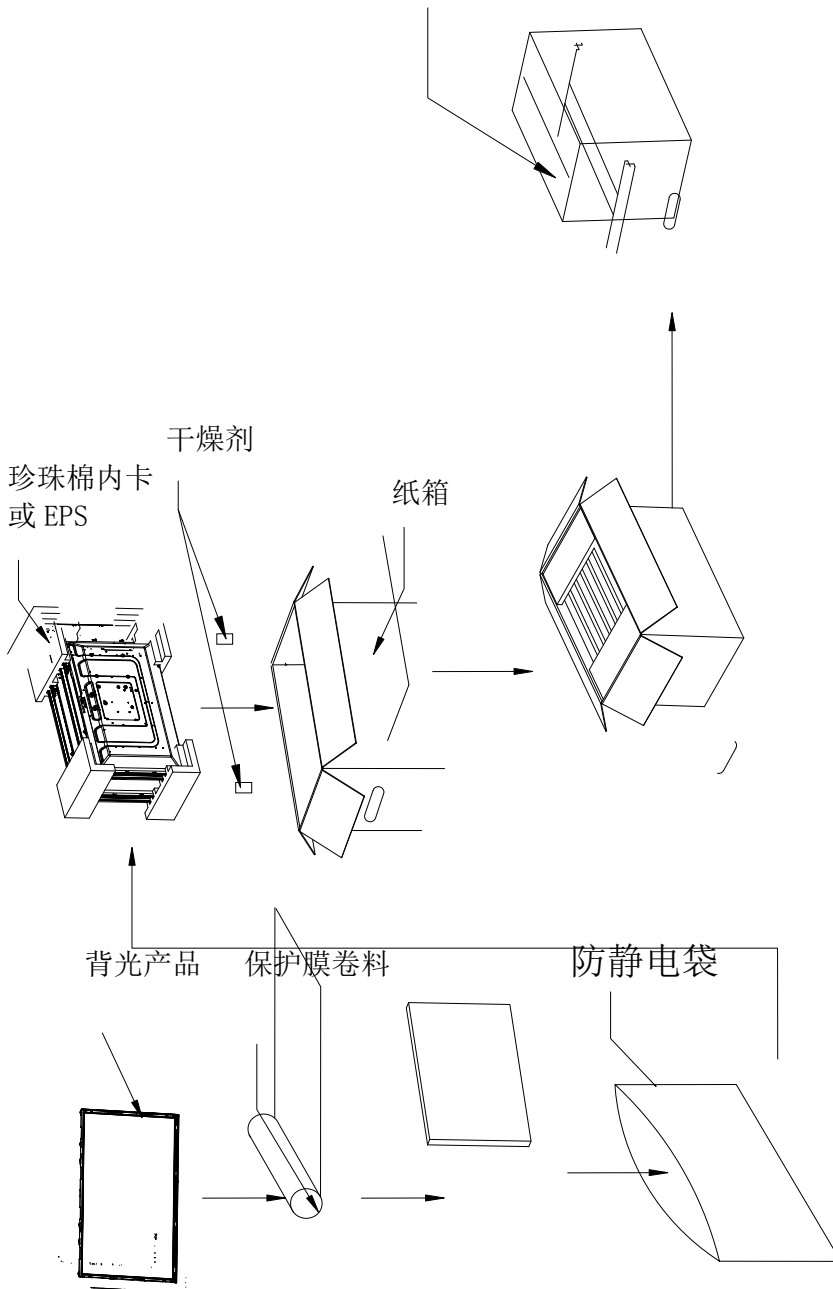
	Test Item	Q'ty	Condition
1	High temperature storage test	3	60°C, 300hrs
2	Low temperature storage test	3	-20°C, 300hrs
3	High temperature operation test	3	50°C, 300hrs
4	Low temperature operation test	3	-5°C, 300hrs
5	Drop test (With carton)	3	Height: 50cm 1 corner, 3 edges, 6 surfaces (ASTMD4169-I)

---

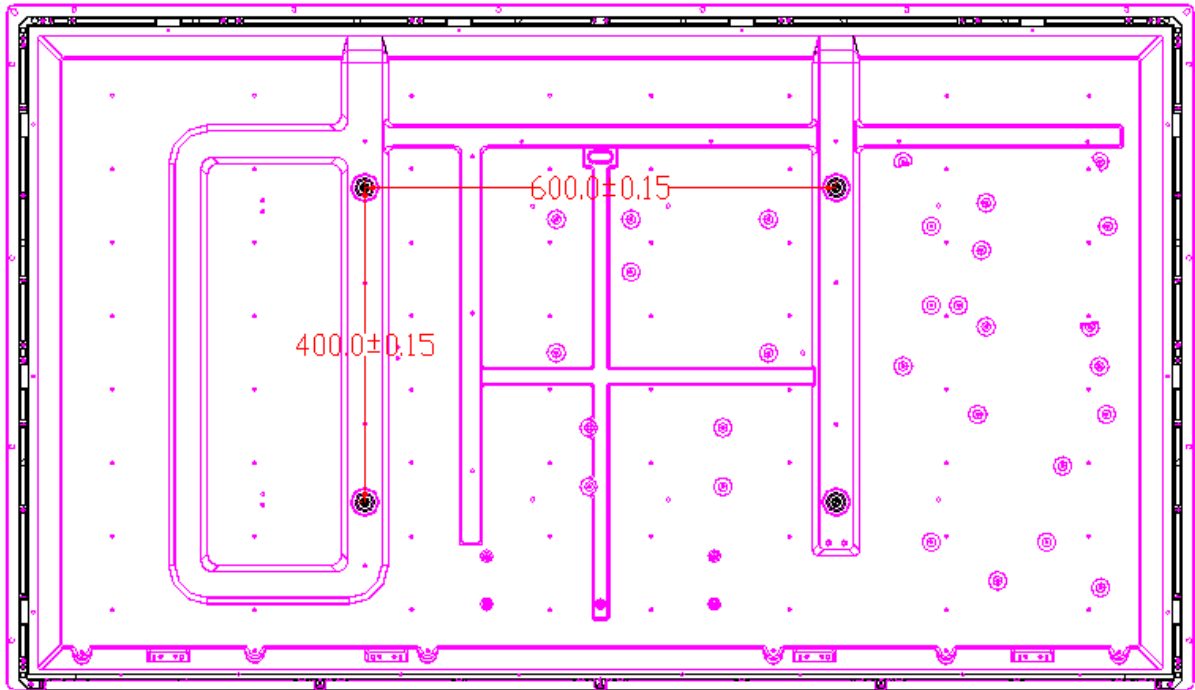
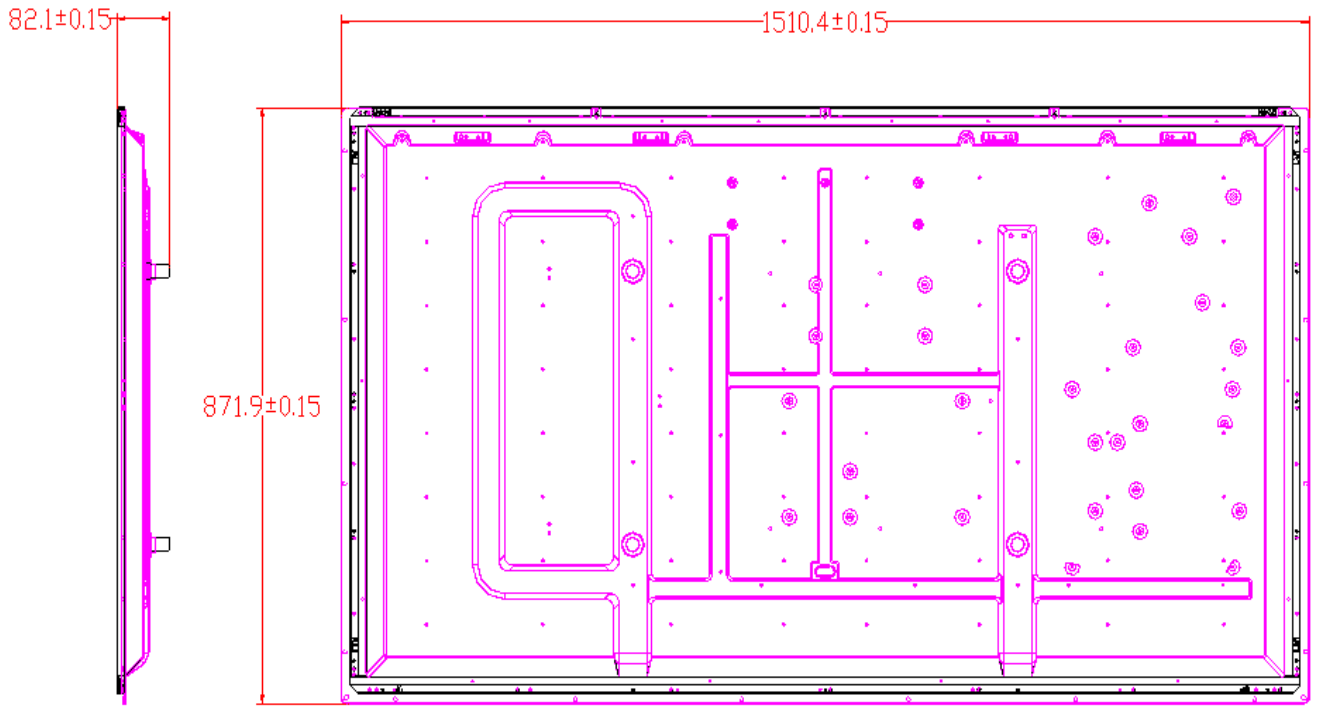
---

#### 4. Package Specification

1 个纸箱装满共 2PCS 产品



#### 5. Mechanical Drawing





---

6. Impression Drawing

CE FC  RoHS



65寸液晶屏