

- (√) Preliminary Specification
() Final Specification

BACKLIGHT SPECIFICATION

Product's Name: DLED43A
Customer's Model NO:

For Customer's Acceptance Customer's Name:	
Approved by	Comment

Approved by	Checked by	Designed by

CONTENTS

RECORD HISTORY	-----3
1. General Description	-----4
1.1 Overview	
1.2 Available OpenCell Ass'y	
2. BACKLIGHT Configuration	-----6
2.1 Factory Standard Configuration	
2.2 Other available configurations	
3. Reliability Test	-----6
4. Package Specification	-----7
5. Mechanical Drawing	-----8
6. Impression Drawing	-----9

Record of Revision

Version NO.	Revise Date	Page	Description
0.0	2016/ 03/ 20	-	Preliminary Specification(First Draft)

2 .BACKLIGHT Configuration

2.1 Factory Standard Configuration

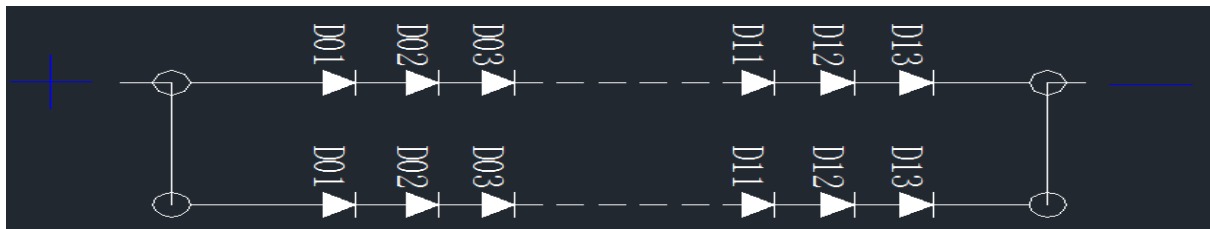
标准配置方案: 4*13 + 一增一扩

2.1.1 BACKLIGHT Electric Parameter(背光电气参数)

Parameter	Symbol	Value			Unit	Note
		Min.	Typ.	Max.		
BLU Voltage	U	78	-	88.4	V	IL =660mA
BLU Power	P		52	--	W	IL =660mA
BLU Current	I	--	600	660	mA	
BLU lifetime	T	30000			h	(1)

Note (1) The lifetime is defined as the time which luminance of the LED decays to 50% compared to the initial value, Operating condition: Continuous operating at Ta = 25 ± 2°C, IL = 330mA

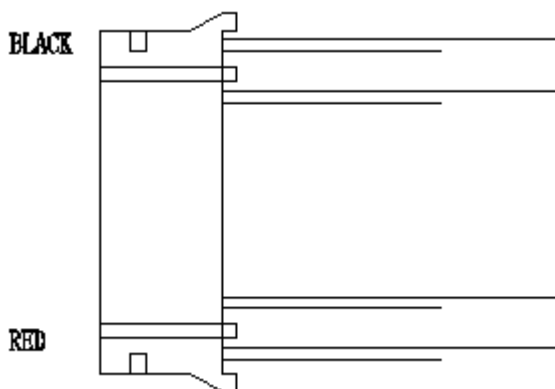
2.1.2 BACK LIGHT Electrical Circuit (背光电路)



PER LED light bar circuit is(1)Parallel (13)Series, Backlight circuit is(2)Parallel (26)Series

2.1.3 Backlight UNIT Connector Definition (背光接口)

Backlight Input connector model: PHR-6(JST) PITCH2.0mm *1 (一路 PH2.0 6pin 插头)

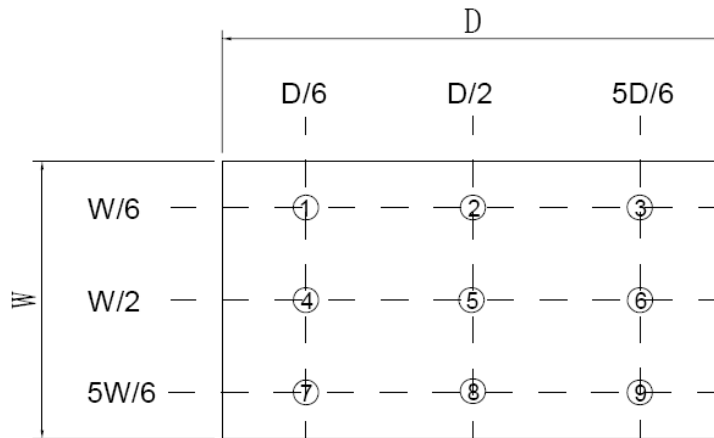


2.1.4 BACKLIGHT Optical Characteristics (背光光学参数)

项目	符号	最小值	典型值	最大值	单位	测试条件
电压	Vf	78	--	88.4	V	If= 660mA
电流	Ir	--	600	660	mA	If= 660mA
中心点亮度	Lv	--	5000	--	cd/m ²	If= 660mA
均匀性	U	--	65	--	%	
色座标	X	0.225	0.255	0.385		IF=660mA Ta=25°C Each chip
	Y	0.200	0.220	0.250		

- 注 1: 测试条件: 1) 时间: 点亮 5 分钟后;
 2) 测试环境: 暗室 (10Lux 以下)
 3) 辉度、色坐标测试点: 见下图
 4) 光学特性测试点图

注 2: 均匀性 $\Delta I = (I_{MIN} \div I_{MAX}) \times 100\%$

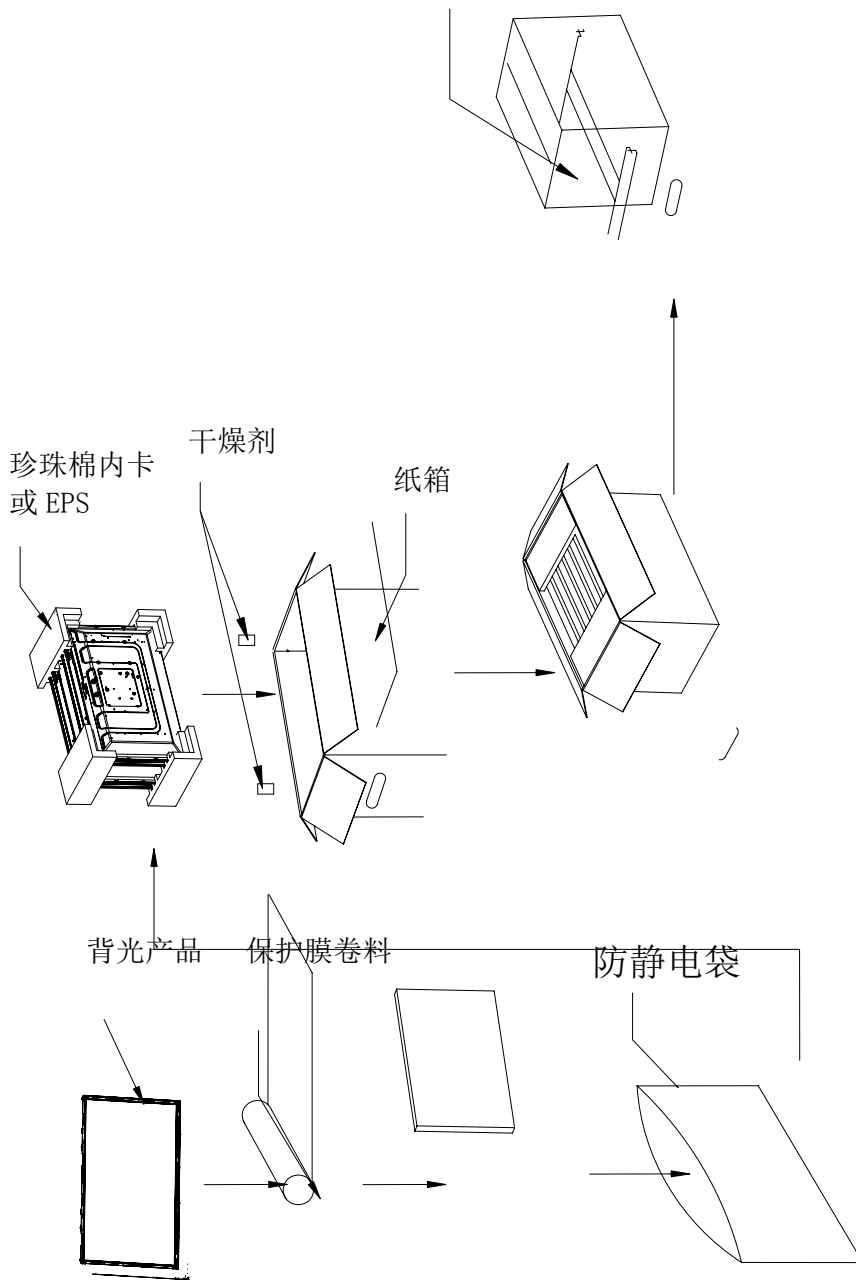


3. Reliability Test

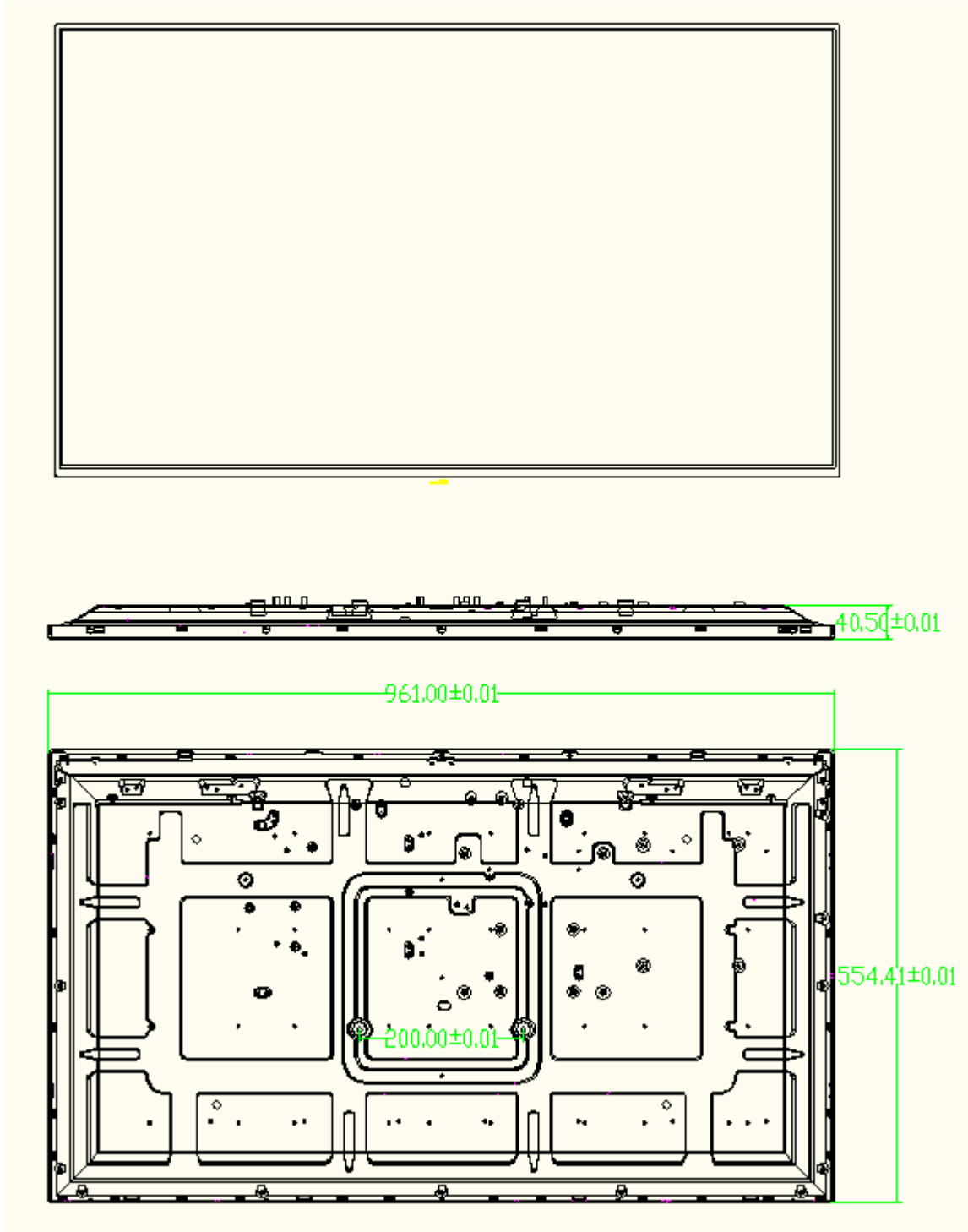
	Test Item	Q'ty	Condition
1	High temperature storage test	3	60°C,300hrs
2	Low temperature storage test	3	-20°C,300hrs
3	High temperature operation test	3	50°C,300hrs
4	Low temperature operation test	3	-5°C,300hrs
5	Drop test (With carton)	3	Height: 50cm 1 corner, 3 edges, 6 surfaces (ASTMD4169-I)

4. Package Specification

1 个纸箱装满共 4PCS 产品



5.Mechanical Drawing



6. Impression Drawing