



Model No: LED55E

 Preliminary Specification Final Specification

BACKLIGHT SPECIFICATION

Product's Name: [LED55E](#)

Customer's Model NO:

Dida's Model NO: [Dida550L01E1](#)

For Customer's Acceptance	
Customer's Name:	
Approved by	Comment

Approved by	Checked by	Designed by

SHENZHEN Dida Technology CO., LTD.

TEL:86-769 -83062928

Address:深圳市宝安区流塘路河东大厦 A 座 4 层 009 室

Please return to us one original of "**BACKLIGHT Specification**" with your approved signatures.

The information contained in this document is the exclusive property of Dida Display Corporation. It shall not be disclosed, distributed or reproduced in whole or in part without written permission of Dida Display Corporation



Model No: LED55E

CONTENTS

RECORD HISTORY	-----	3
1. General Description	-----	4
1.1 Overview		
1.2 Available OpenCell Ass'y		
2. BACKLIGHT Configuration	-----	6
2.1 Factory Standard Configuration		
2.2 Other available configurations		
3. Reliability Test	-----	6
4. Package Specification	-----	7
5. Mechanical Drawing	-----	8
6. Impression Drawing	-----	9



Model No: LED55E

Record of Revision

Version NO.	Revise Date	Page	Description
0.0	2016/ 03/ 20	-	Preliminary Specification(First Draft)



Model No: LED55E

1. General Description

1.1 Overview

This specification applies to Shenzhen Dida Technology Co.,Ltd, Dida550L05E1 backlight module of the whole machine.

1.2 Available OpenCell Ass'y

No.	Manufacturer	Model	Specifications	Transmition	Remarks
1	LG	LC550DUJ-SGE1	FHD		
2	LG	LC550DUY-SHA2	FHD		
3	LG	LC550EQJ-SGK1	UHD		
4	LG	LC550EGY-SHM1	UHD		
5	LG	LC550EGY-SJM2	UHD		
6	LG	LC550EIJ-SFK2	FHD		
7	BOE	HV550QUB-B05	UHD		
8	BOE	HV550QU2-305	UHD		
9	BOE	HV550QUB-N81	UHD		
10	BOE	HV550FHB-N20	FHD		
11	COST	TT5461B05-2	FHD		
12	COST	ST5461B05-5	FHD		
13	COST	TT5461B03-2	FHD		
14	COST	TT5461D01-1	UHD		
15	COST	ST5461D04-1	UHD		
16	COST	ST5461D04-2	UHD		
17	CMO	V546HK7-PS1	FHD		
18	AUO	TT550HVN03-0	FHD		
19	AUO	TT550HVN06-1	FHD		
20	AUO	TT550HVN06-0	FHD		
21	AUO	TT550QVN03-0	UHD		
22	AUO	TT550QVN03V2-0	UHD		
23					
24					
The above information is only for reference, please take the material as the standard.					

The information contained in this document is the exclusive property of Dida Display Corporation. It shall not be disclosed, distributed or reproduced in whole or in part without written permission of Dida Display Corporation



Model No: LED55E

2 .BACKLIGHT Configuration

2.1 Factory Standard Configuration (嘀嗒酷显标准配置)

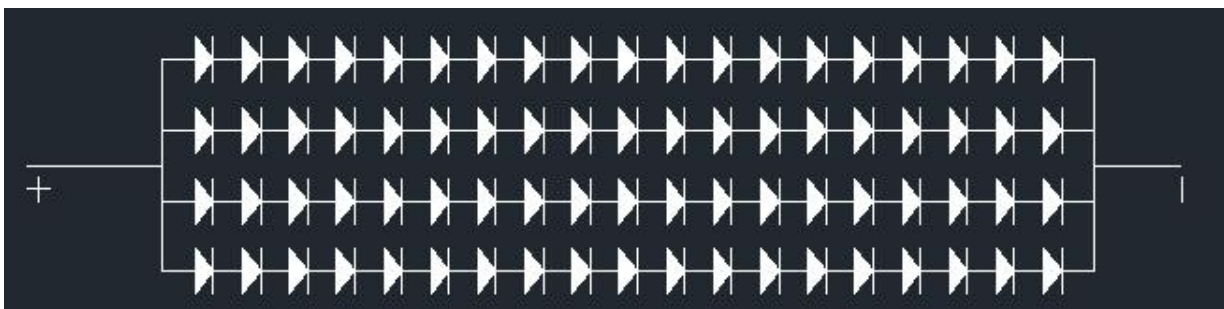
标准配置方案: 4*19*2 (7020 120mA) + 两扩一增

2.1.1 BACKLIGHT Electric Parameter(背光电气参数)

Parameter	Symbol	Value			Unit	Note
		Min.	Typ.	Max.		
BLU Voltage	U	114	--	130	V	IL =720mA
BLU Power	P		100	--	W	IL =720mA
BLU Current	I	720	800	960	mA	
BLU lifetime	T	30000			h	(1)

Note (1) The lifetime is defined as the time which luminance of the LED decays to 50% compared to the initial value, Operating condition: Continuous operating at Ta = 25±2℃, IL =330mA

2.1.2 BACK LIGHT Electrical Circuit (背光电路)



PER LED light bar circuit is(4)Parallel (19)Series, Backlight circuit is(8)Parallel (19)Series

2.1.3 Backlight UNIT Connector Definition (背光接口)

Backlight Input connector model: PHR-2(JST) PITCH2.0mm *2 (一路 PH2.0 2pin 插头)





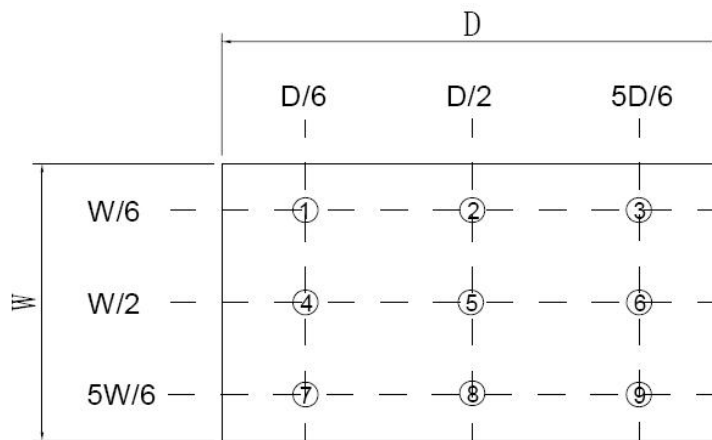
Model No: LED55E

2.1.4 BACKLIGHT Optical Characteristics (背光光学参数)

项目	符号	最小值	典型值	最大值	单位	测试条件
电压	Vf	114	--	130	V	If= 720mA
电流	Ir	--	720	960	mA	If= 720mA
中心点亮度	Lv	--	6800	--	cd/m ²	If= 720mA
均匀性	U	--	75	--	%	
色座标	X	0.225	0.255	0.385		IF=330mA Ta=25°C Each chip
	Y	0.200	0.220	0.250		

- 注 1: 测试条件: 1) 时间: 点亮 5 分钟后;
 2) 测试环境: 暗室 (10Lux 以下)
 3) 辉度、色坐标测试点: 见下图
 4) 光学特性测试点图

注 2: 均匀性 $\Delta I = (I_{MIN} \div I_{MAX}) \times 100\%$



以上亮度及均齐度值均以嘀嗒酷显公司色彩分析仪器机台测试为准

3. Reliability Test

	Test Item	Q'ty	Condition
1	High temperature storage test	3	60°C, 300hrs
2	Low temperature storage test	3	-20°C, 300hrs
3	High temperature operation test	3	50°C, 300hrs
4	Low temperature operation test	3	-5°C, 300hrs
5	Drop test (With carton)	3	Height: 50cm 1 corner, 3 edges, 6 surfaces (ASTMD4169-I)

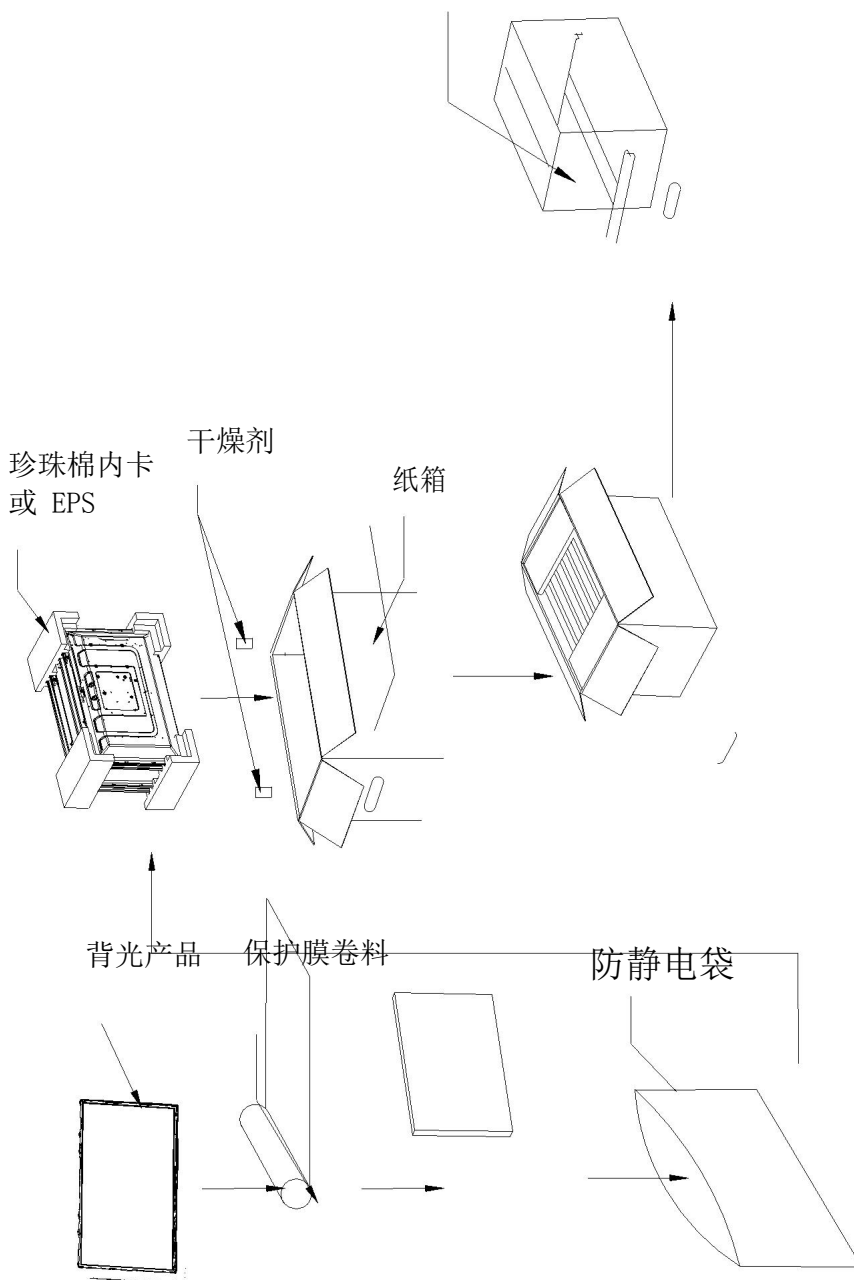
The information contained in this document is the exclusive property of Dida Display Corporation. It shall not be disclosed, distributed or reproduced in whole or in part without written permission of Dida Display Corporation



Model No: LED55E

4. Package Specification

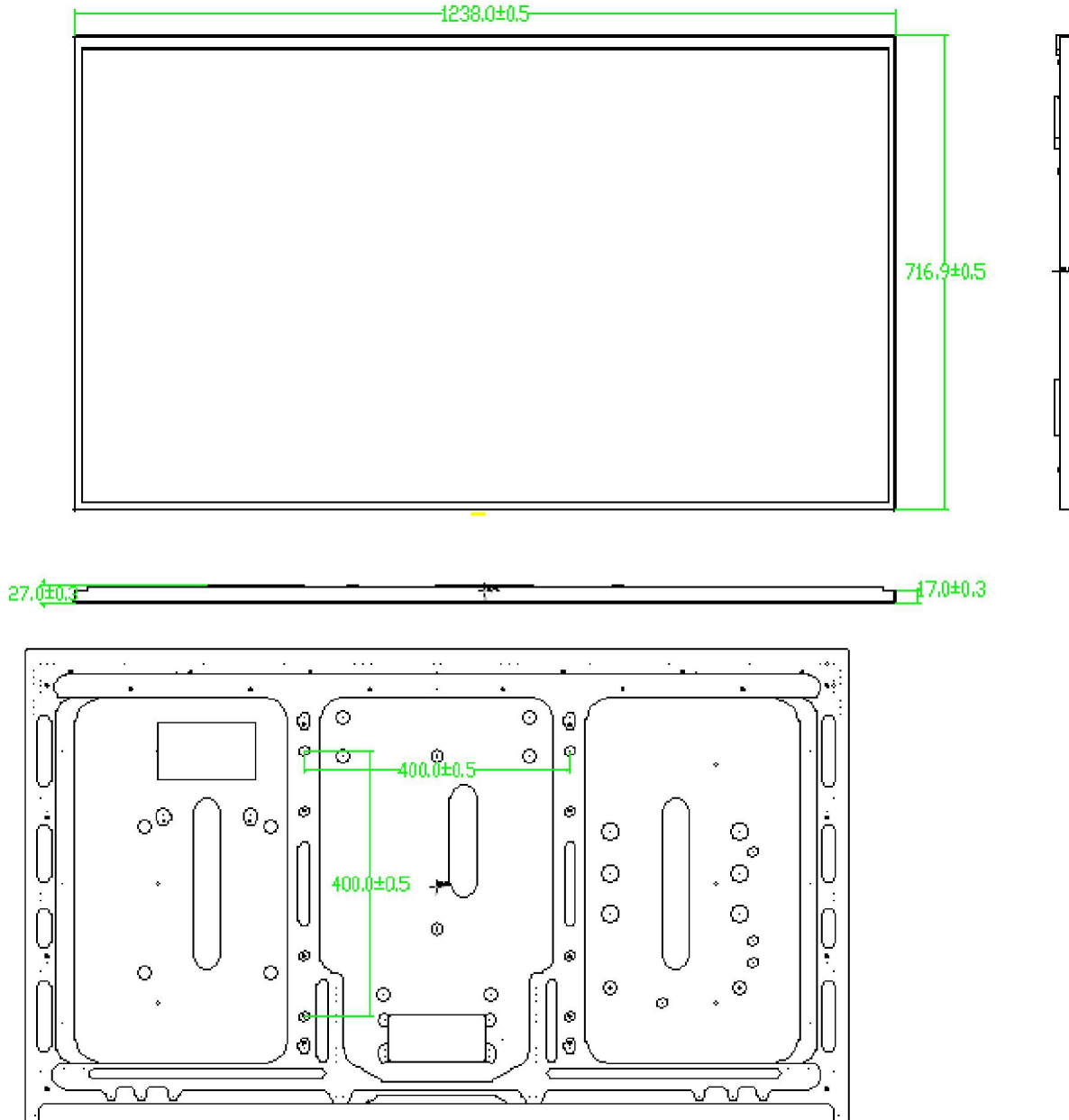
1 个纸箱装满共 4PCS 产品





Model No: LED55E

5.Mechanical Drawing





Model No: LED55E

6. Impression Drawing

