

-
- (√) Preliminary Specification
() Final Specification

BACKLIGHT SPECIFICATION

Product's Name: DLED70Q
Customer's Model NO:

| For Customer's Acceptance Customer's Name: | |
|---|---------|
| Approved by | Comment |
| | |

| Approved by | Checked by | Designed by |
|-------------|------------|-------------|
| | | |

CONTENTS

| | |
|------------------------------------|--------|
| RECORD HISTORY | -----3 |
| 1. General Description | -----4 |
| 1.1 Overview | |
| 1.2 Available OpenCell Ass'y | |
| 2. BACKLIGHT Configuration | -----6 |
| 2.1 Factory Standard Configuration | |
| 2.2 Other available configurations | |
| 3. Reliability Test | -----6 |
| 4. Package Specification | -----7 |
| 5. Mechanical Drawing | -----8 |
| 6. Impression Drawing | -----9 |

Record of Revision

| Version NO. | Revise Date | Page | Description |
|-------------|-------------|------|--|
| 0.0 | 2017/ 02/18 | - | Preliminary Specification(First Draft) |
| | | | |
| | | | |
| | | | |
| | | | |
| | | | |

2 .BACKLIGHT Configuration

2.1 Factory Standard Configuration (中电捷智标准配置)

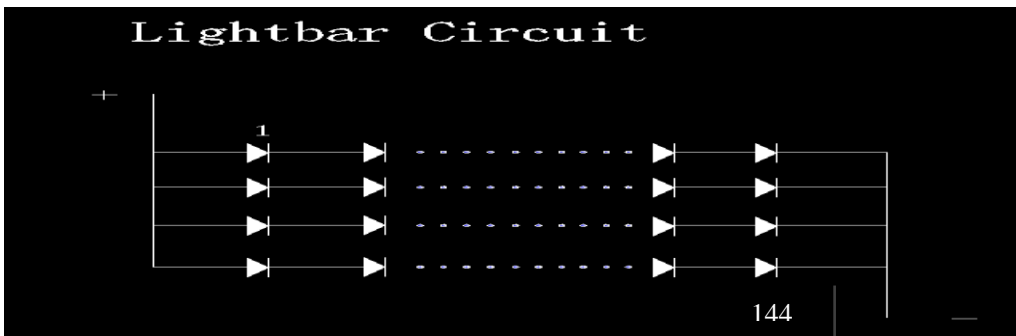
标准配置方案: 9*16 (3528) + 两扩一增

2.1.1 BACKLIGHT Electric Parameter(背光电气参数)

| Parameter | Symbol | Value | | | Unit | Note |
|--------------|--------|-------|------|-------|------|------------|
| | | Min. | Typ. | Max. | | |
| BLU Voltage | U | 104.4 | -- | 122.4 | V | IL =1200mA |
| BLU Power | P | -- | 122 | -- | W | IL =1200mA |
| BLU Current | I | -- | 1200 | 1320 | mA | |
| BLU lifetime | T | 30000 | -- | -- | h | (1) |

Note (1) The lifetime is defined as the time which luminance of the LED decays to 50% compared to the initial value, Operating condition: Continuous operating at $T_a = 25 \pm 2^\circ\text{C}$, $I_L = 1200\text{mA}$

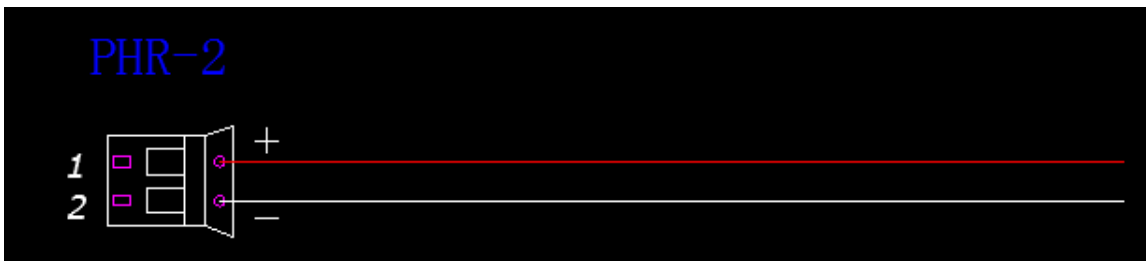
2.1.2 BACK LIGHT Electrical Circuit (背光电路)



PER LED light bar circuit is(1)Parallel (9)Series, Backlight circuit is(4)Parallel (36)Series

2.1.3 Backlight UNIT Connector Definition (背光接口)

Backlight Input connector model: PH2.0-2PIN*4

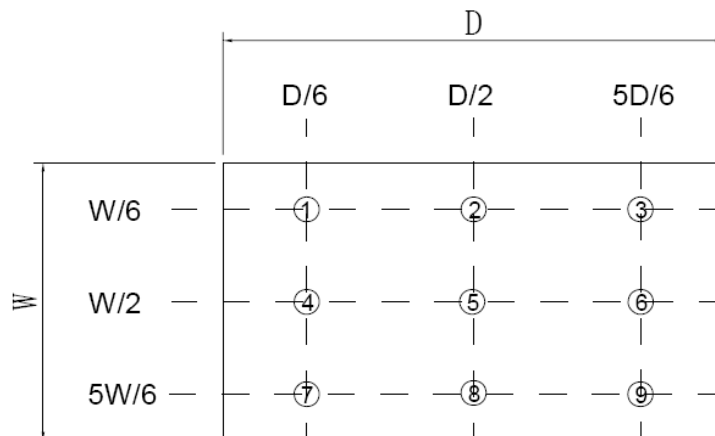


2.1.4 BACKLIGHT Optical Characteristics (背光光学参数)

| 项目 | 符号 | 最小值 | 典型值 | 最大值 | 单位 | 测试条件 |
|-------|----|-------|-------|-------|-------------------|-----------------------------------|
| 电压 | Vf | 104.4 | -- | 122.4 | V | If= 1200mA |
| 电流 | Ir | -- | 1200 | -- | mA | |
| 中心点亮度 | Lv | -- | 6000 | -- | cd/m ² | If= 1200mA |
| 均匀性 | U | -- | 75 | -- | % | |
| 色座标 | X | 0.225 | 0.255 | 0.385 | | IF=1200mA Ta=25°C Each chip |
| | Y | 0.200 | 0.220 | 0.250 | | |

- 注 1: 测试条件: 1) 时间: 点亮 5 分钟后;
 2) 测试环境: 暗室 (10Lux 以下)
 3) 辉度、色坐标测试点: 见下图
 4) 光学特性测试点图

注 2: 均匀性 $\Delta I = (I_{MIN} \div I_{MAX}) \times 100\%$

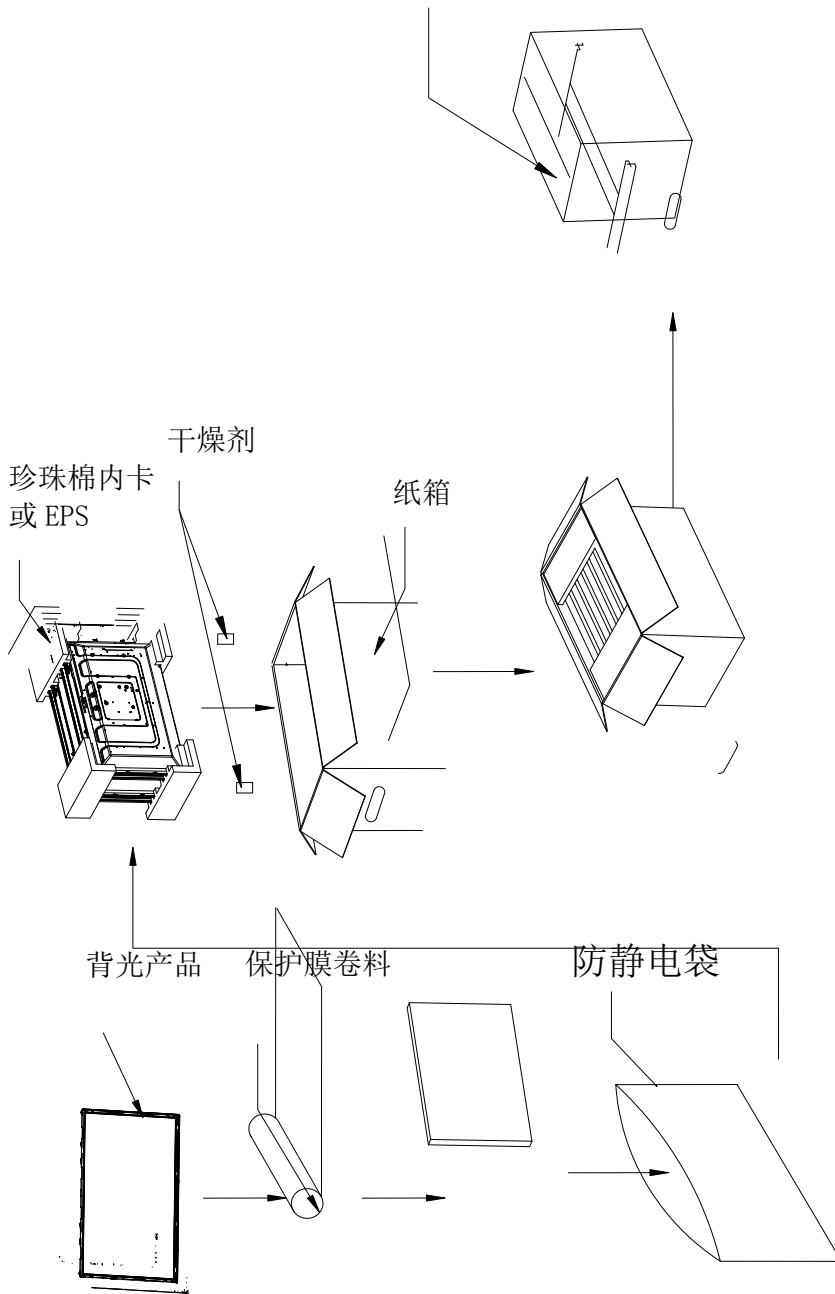


3. Reliability Test

| | Test Item | Q'ty | Condition |
|---|---------------------------------|------|--|
| 1 | High temperature storage test | 3 | 60°C, 300hrs |
| 2 | Low temperature storage test | 3 | -20°C, 300hrs |
| 3 | High temperature operation test | 3 | 50°C, 300hrs |
| 4 | Low temperature operation test | 3 | -5°C, 300hrs |
| 5 | Drop test (With carton) | 3 | Height: 50cm 1 corner, 3 edges, 6 surfaces (ASTMD4169-I) |

4. Package Specification

1 个纸箱装满共 2PCS 产品



5.Mechanical Drawing

